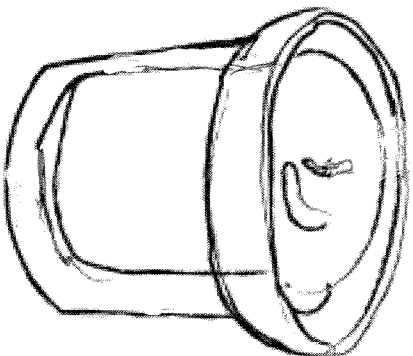


Light a Candle to Show that You (and God) Care!

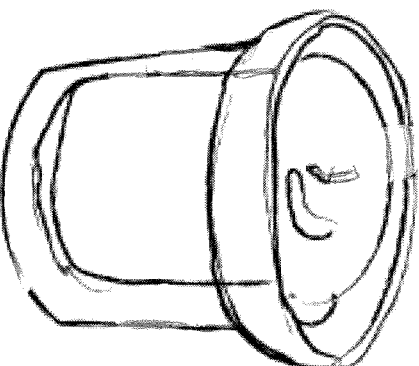
God has a plan for each of us and he has our best interests at heart. Sometimes, however, people feel as though they have been forgotten. Catholics light candles in church and at home as a sign that those in need are not forgotten. Below, "light" a candle each day for someone in need of prayers.

© 2013 Loyola Press. All rights reserved. Find this and more resources for catechists at <http://catechistsjourney.loyolapress.com>

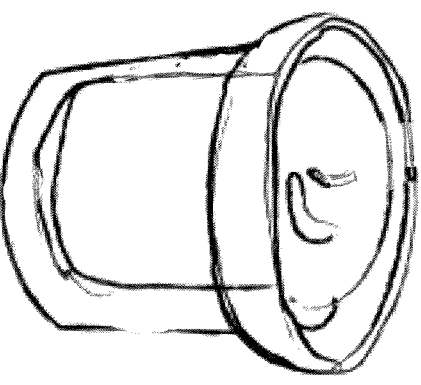
Your Name _____



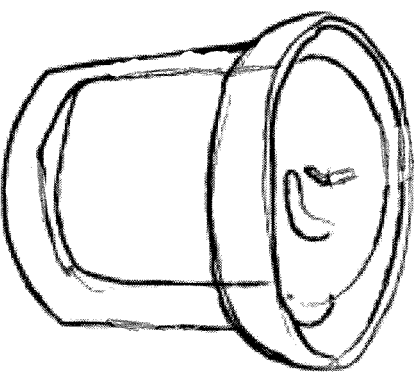
Today I pray for...



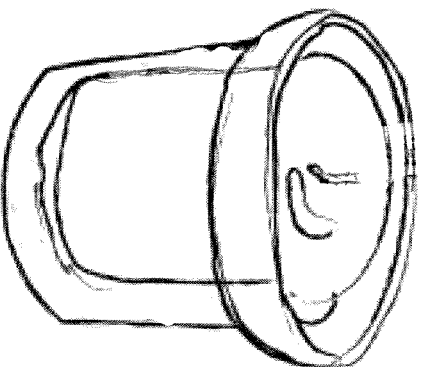
Today I pray for...



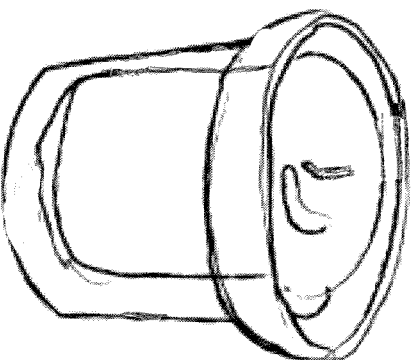
Today I pray for...



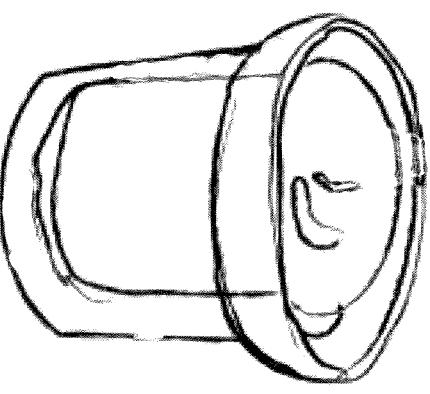
Today I pray for...



Today I pray for...



Today I pray for...



Today I pray for...